

1 2 3 4 5 6 7 8

A

A

B

B

C

C

D

D

E

E

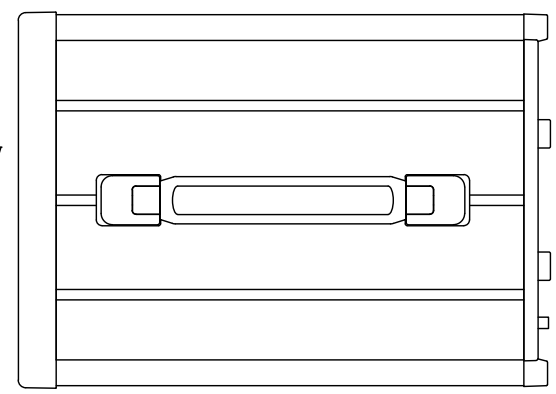
F

F

air flow



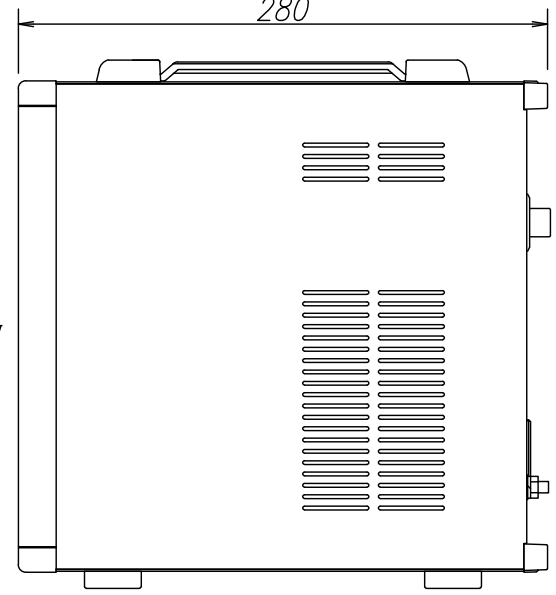
air flow



air flow



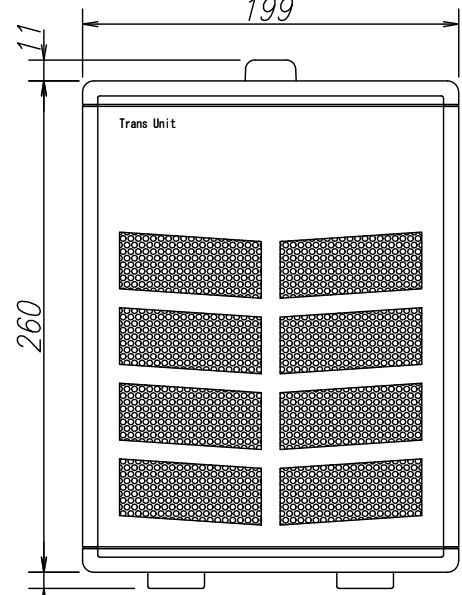
280



air flow



199



11

260

8

